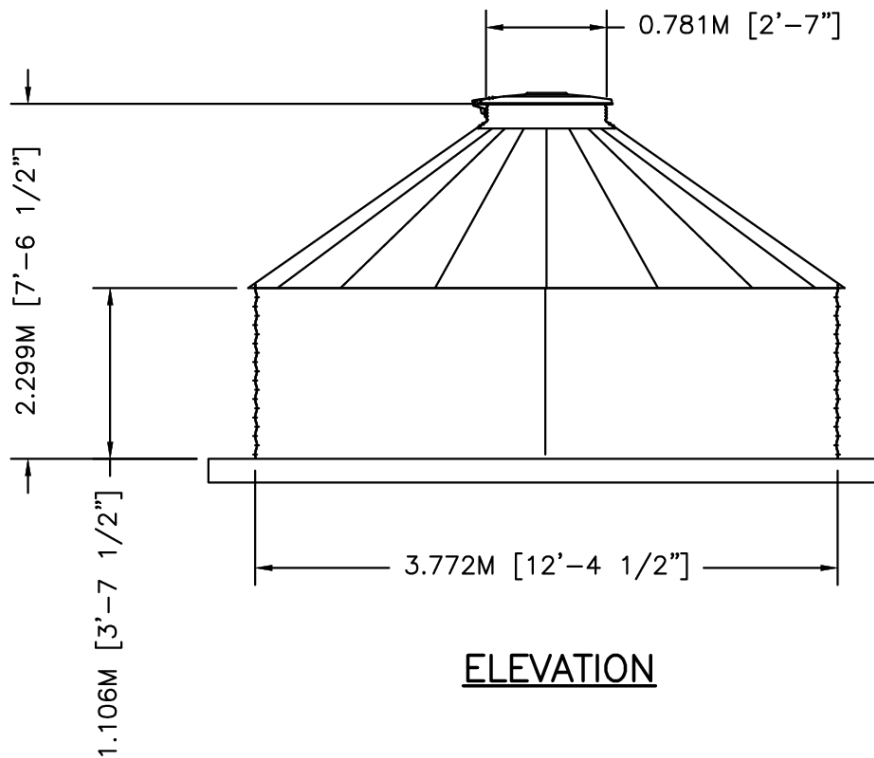



PLAN



ELEVATION

		BY	DATE	TITLE	
	DWN	XXX	XX/XX/XX	WTU04-01 30"PR 30DEG V-RIB	
	CKD			NOMINAL CAPACITY - 10.925 M ³ [2,886 GAL]	
	ENG			DWG. NO. SCT1201-VR WTU04-01	REV. NO.
	SIZE:	A	SCALE:	1/4"=1'-0"	SHEET 1 OF 1